



SIMPLY STAINLESS

Modular Sinks, Tables & Shelving



08-6-1500L

*Units 1200mm to 1800mm have 4 legs.



08-6-1500R



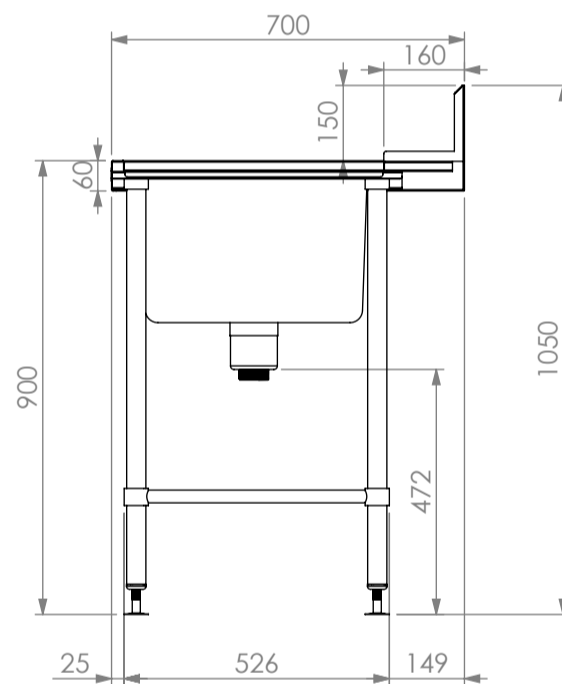
08-7-2100L

* Units 2100mm have 6 legs.

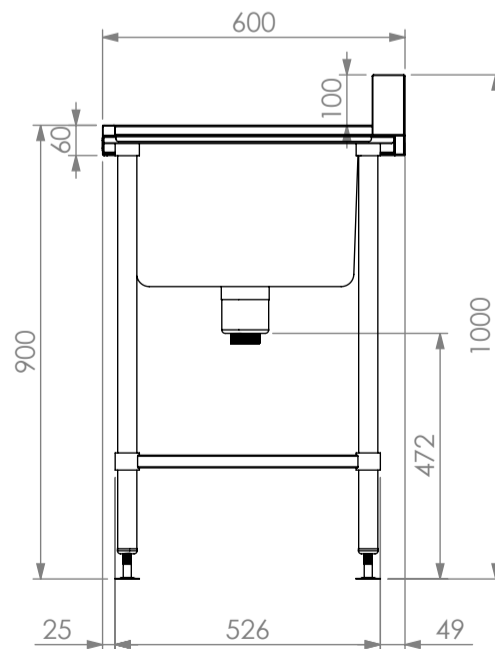


08-7-2100R

SPECIFICATION	
Tops	<ul style="list-style-type: none"> - High quality 304 grade stainless steel. - 1.2mm gauge, no. 4 Finish. - Welded bowl w/sink waste, 100mm upstand (150mm bevelled upstand on 700 series). - 20mm wet edge. - 60 litre bowl (450x450x300mm). - Supplied with 1x Watermark approved 90mm waste with basket.
Core	<ul style="list-style-type: none"> - 1.2mm gauge stainless steel top hat channel. - Stainless steel collars.
Frames	<ul style="list-style-type: none"> - Ø38mm round stainless steel tube. - Satin polished. - Machined collars. - Adjustable stainless disc feet.
Potrail	<ul style="list-style-type: none"> - Stainless steel round & square tube



*700mm DEEP MODULE ELEVATION.



*600mm DEEP MODULE ELEVATION.

08	INLET SINK BENCH SINGLE BOWL (L-Left Hand Entry, R-Right Hand Entry)				
	Product Code	Bowl	Dimensions (mm)	Unit weight (Kg)	Load capacity (Kg)
	08-6-1200 (L,R)	450x450x300	1200x600x900	33	50
	08-6-1500 (L,R)	450x450x300	1500x600x900	37	50
	08-6-1650 (L,R)	450x450x300	1650x600x900	40	90
	08-6-1800 (L,R)	450x450x300	1800x600x900	40	90
	08-6-2100 (L,R)	450x450x300	2100x600x900	48	90
	08-7-1200 (L,R)	450x450x300	1200x700x900	39	90
	08-7-1500 (L,R)	450x450x300	1500x700x900	43	90
	08-7-1650 (L,R)	450x450x300	1650x700x900	46	90
	08-7-1800 (L,R)	450x450x300	1800x700x900	44	90
	08-7-2100 (L,R)	450x450x300	2100x700x900	53	90

